



Engine powered forklift 1.5 - 3.5 ton

TONERO



Engine powered forklift 1.5 - 1.75 ton

| Truck specifications | | | | 02-8FGF15 | 02-8FDF15 | 02-8FGF18 | 02-8FDF18 | |
|----------------------|-------------------------|---|---|-----------------|---------------|-----------------------|---------------|-----------------------|
| Identification | 1.1 | Manufacturer | | TOYOTA | TOYOTA | TOYOTA | TOYOTA | |
| | 1.2 | Model | | 02-8FGF15 | 02-8FDF15 | 02-8FGF18 | 02-8FDF18 | |
| | 1.3 | Drive | | LPG | Diesel | LPG | Diesel | |
| | 1.4 | Operator type | | Rider seated | Rider seated | Rider seated | Rider seated | |
| | 1.5 | Load capacity/rated load | Q | kg | 1500 | 1500 | 1750 | 1750 |
| | 1.6 | Load centre | c | mm | 500 | 500 | 500 | 500 |
| | 1.8 | Load distance, centre of drive axle to fork | x | mm | 410 | 410 | 410 | 410 |
| | 1.9 | Wheelbase | y | mm | 1485 | 1485 | 1485 | 1485 |
| | Weight | 2.1 | Service weight | | kg | 2450 | 2550 | 2630 |
| 2.2 | | Axle load, with load, front/rear | | kg | 3460/490 | 3510/540 | 3820/560 | 3940/540 |
| 2.3 | | Axle load, without load, front/rear | | kg | 1040/1410 | 1090/1460 | 1000/1630 | 1120/1610 |
| Tyres | 3.1 | Tyre - pneumatic (P), pneumatic shaped cushion (SE), solid rubber (R) | | | SE | SE | SE | SE |
| | 3.2 | Tyre size, front | | | 6.50-10 | 6.50-10 | 6.50-10 | 6.50-10 |
| | 3.3 | Tyre size, rear | | | 5.00-8 | 5.00-8 | 5.00-8 | 5.00-8 |
| | 3.5 | Wheels, number front/rear (x=driven wheels) | | | 2x/2 | 2x/2 | 2x/2 | 2x/2 |
| | 3.6 | Track width, front | b ₁₀ | mm | 885 | 885 | 885 | 885 |
| | 3.7 | Track width, rear | b ₁₁ | mm | 895 | 895 | 895 | 895 |
| | Dimensions | 4.1 | Tilt of mast/fork carriage forward/backward | α/β | deg | 6/11 | 6/11 | 6/11 |
| 4.2 | | Height, mast lowered | h ₁ | mm | 1995 | 1995 | 1995 | 1995 |
| 4.3 | | Free lift | h ₂ | mm | 150 | 150 | 150 | 150 |
| 4.4 | | Lift | h ₃ | mm | 2960 | 2960 | 2960 | 2960 |
| | | Lift height | h ₂₃ | mm | 3000 | 3000 | 3000 | 3000 |
| 4.5 | | Height, mast extended | h ₄ | mm | 4250 | 4250 | 4250 | 4250 |
| 4.7 | | Height of overhead guard (cab) | h ₆ | mm | 2080 | 2080 | 2080 | 2080 |
| 4.8 | | Seat height | h ₇ | mm | 1020 | 1020 | 1020 | 1020 |
| 4.12 | | Coupling height | h ₁₀ | mm | 285 | 285 | 285 | 285 |
| 4.19 | | Overall length | l ₁ | mm | 3290 | 3290 | 3315 | 3315 |
| 4.20 | | Length to face of forks | l ₂ | mm | 2290 | 2290 | 2315 | 2315 |
| 4.21 | | Overall width | b ₁ | mm | 1070 | 1070 | 1070 | 1070 |
| 4.22 | | Fork dimensions | s/e/l | mm | 40/80/1000 | 40/80/1000 | 40/80/1000 | 40/80/1000 |
| 4.23 | | Fork carriage DIN 15 173, class/type A, B | | | IIA | IIA | IIA | IIA |
| 4.24 | | Fork-carriage width | b ₃ | mm | 920 | 920 | 920 | 920 |
| 4.31 | | Ground clearance, with load, below mast | m ₁ | mm | 80 | 80 | 80 | 80 |
| 4.32 | | Ground clearance, centre of wheelbase | m ₂ | mm | 95 | 95 | 95 | 95 |
| 4.33 | | Aisle width for pallets 1000 x 1200 crossways | A _{st} | mm | 3600 | 3600 | 3620 | 3620 |
| 4.34 | | Aisle width for pallets 800 x 1200 lengthways | A _{sl} | mm | 3800 | 3800 | 3820 | 3820 |
| 4.35 | | Turning radius | W _a | mm | 1990 | 1990 | 2010 | 2010 |
| 4.36 | Internal turning radius | b ₁₃ | mm | 575 | 575 | 575 | 575 | |
| Performance data | 5.1 | Travel speed, with/without load | | km/h | 18,5/19,0 | 18,0/18,5 | 18,5/19,0 | 18,0/18,5 |
| | 5.2 | Lift speed, with/without load | | m/s | 0,67/0,68 | 0,65/0,68 | 0,67/0,68 | 0,65/0,68 |
| | 5.3 | Lowering speed, with/without load | | m/s | 0,50/0,55 | 0,50/0,55 | 0,50/0,55 | 0,50/0,55 |
| | 5.6 | Max. drawbar pull, with/without load | | N | 17500/6300 | 16600/7000 | 17500/6300 | 16600/6300 |
| | 5.7 | Gradeability, with load ¹⁾²⁾ | | % | 41 | 42 | 40 | 37 |
| | 5.8 | Max. gradeability, with/without load ²⁾ | | % | 45/22 | 45/22 | 44/20 | 41/20 |
| 5.10 | Service brake | | | | Hydraulic | Hydraulic | Hydraulic | |
| Combustion engine | 7.1 | Engine manufacturer/type | | | Toyota 4Y-ECS | Toyota 1DZ-III (IIIA) | Toyota 4Y-ECS | Toyota 1DZ-III (IIIA) |
| | 7.2 | Engine power acc. to ISO 1585 | | kW | 38 | 36 | 38 | 36 |
| | 7.3 | Rated speed | | 1/min | 2570 | 2400 | 2570 | 2400 |
| | 7.4 | No. of cylinders/displacement | | cm ³ | 4/2237 | 4/2486 | 4/2237 | 4/2486 |
| | 7.5a | Fuel consumption according to VDI 60 | | l/h | — | 2,7 | — | 3,0 |
| | 7.5b | Fuel consumption according to VDI 60 | | kg/h | 2,5 | — | 2,6 | — |
| Others | 8.2 | Operating pressure for attachments | | bar | 118 | 118 | 118 | 118 |
| | 8.3 | Oil volume for attachments | | l/min | 65 max. | 64 max. | 65 max. | 64 max. |
| | 8.4 | Sound level at the driver's ear according to EN 12 053 | | dB(A) | 77 | 79 | 77 | 79 |

¹⁾ At 1,5 km/h

²⁾ Computed values

Performance data and dimensions are nominal and subject to tolerances.

Specifications are subject to change without notice.

Please obtain the latest specifications before contracting products.

Mast dimensions and rated capacities

| Model | | | V | | | | | | | | FV | | | | | FSV | | | | | | | |
|-------------|-------------------------------------|----------|------|------|------|------|------|------|------|------|------|------|------|------|------|------|------|------|------|------|------|------|--|
| 8FG/DF15/18 | Lift height | h_{23} | 3000 | 3300 | 3500 | 3700 | 4000 | 4500 | 5000 | 5500 | 3000 | 3300 | 3500 | 3700 | 4000 | 4300 | 4700 | 5000 | 5500 | 6000 | 6500 | 7000 | |
| | Lift | h_3 | 2960 | 3260 | 3460 | 3660 | 3960 | 4460 | 4960 | 5460 | 2960 | 3260 | 3460 | 3660 | 3960 | 4260 | 4660 | 4960 | 5460 | 5960 | 6460 | 6960 | |
| | Height, mast lowered | h_1 | 1995 | 2145 | 2245 | 2405 | 2595 | 2845 | 3095 | 3345 | 1995 | 2145 | 2245 | 2405 | 2595 | 1995 | 2145 | 2245 | 2405 | 2595 | 2845 | 3095 | |
| | Height, mast extended ¹⁾ | h_4 | 3640 | 3940 | 4140 | 4340 | 4640 | 5140 | 5640 | 6140 | 3590 | 3890 | 4090 | 4290 | 4590 | 4865 | 5265 | 5565 | 6065 | 6565 | 7065 | 7565 | |
| | Height, mast extended ²⁾ | h_4 | 4250 | 4550 | 4750 | 4950 | 5250 | 5750 | 6250 | 6750 | 4240 | 4540 | 4740 | 4940 | 5240 | 5540 | 5940 | 6240 | 6740 | 7240 | 7740 | 8240 | |
| | Free lift, without load backrest | h_2 | 150 | 150 | 150 | 150 | 150 | 150 | 150 | 150 | 1440 | 1590 | 1690 | 1850 | 2040 | 1460 | 1610 | 1710 | 1870 | 2060 | 2310 | 2560 | |
| | Free lift, with load backrest | h_2 | 150 | 150 | 150 | 150 | 150 | 150 | 150 | 150 | 785 | 935 | 1035 | 1195 | 1385 | 785 | 935 | 1035 | 1195 | 1385 | 1635 | 1885 | |

1) Without load backrest

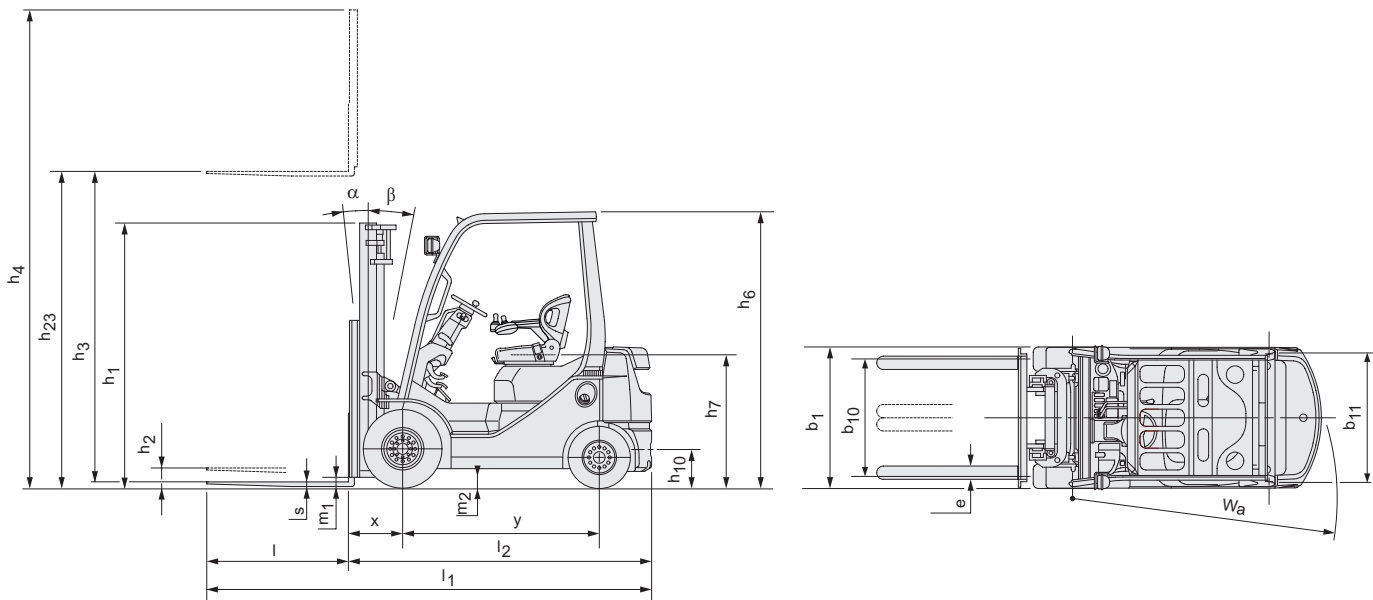
2) With load backrest; Height of standard load backrest is 1220 mm.

Data in [] are for when "A4 piping" is selected.

| Single tyre | | | V | | | | | | | | FV | | | | | FSV | | | | | | | |
|-------------|--------------------------------------|-----|-------|-------|-------|-------|-------|------|------|---|-------|-------|-------|-------|-------|------|------|------|------|-----|-----|---|--|
| 8FG/DF15 | Tilt range, forward | deg | 6 | 6 | 6 | 6 | 6 | 6 | 6 | — | 6 | 6 | 6 | 6 | 6 | 6 | 6 | 6 | 6 | 6 | 6 | — | |
| | Tilt range, backward | deg | 11(6) | 11(6) | 11(6) | 11(6) | 11(6) | 6 | 6 | — | 11(6) | 11(6) | 11(6) | 11(6) | 11(6) | 6 | 6 | 6 | 6 | 6 | 6 | — | |
| | Load capacity, P tyres at 500 mm LC | kg | 1500 | 1500 | 1500 | 1500 | 1500 | 1450 | 1300 | — | 1500 | 1500 | 1500 | 1500 | 1500 | 1400 | 1350 | 1250 | 950 | 700 | 500 | — | |
| | Load capacity, SE tyres at 500 mm LC | kg | 1500 | 1500 | 1500 | 1500 | 1500 | 1450 | 1300 | — | 1500 | 1500 | 1500 | 1500 | 1500 | 1400 | 1350 | 1300 | 1050 | 800 | 570 | — | |
| 8FG/DF18 | Tilt range, forward | deg | 6 | 6 | 6 | 6 | 6 | 6 | 6 | — | 6 | 6 | 6 | 6 | 6 | 6 | 6 | 6 | 6 | 6 | 6 | — | |
| | Tilt range, backward | deg | 11(6) | 11(6) | 11(6) | 11(6) | 11(6) | 6 | 6 | — | 11(6) | 11(6) | 11(6) | 11(6) | 11(6) | 6 | 6 | 6 | 6 | 6 | 6 | — | |
| | Load capacity, P tyres at 500 mm LC | kg | 1750 | 1750 | 1750 | 1750 | 1700 | 1600 | 1550 | — | 1750 | 1750 | 1750 | 1750 | 1700 | 1550 | 1500 | 1450 | 1100 | 850 | 500 | — | |
| | Load capacity, SE tyres at 500 mm LC | kg | 1750 | 1750 | 1750 | 1750 | 1700 | 1600 | 1550 | — | 1750 | 1750 | 1750 | 1750 | 1700 | 1550 | 1500 | 1450 | 1200 | 950 | 570 | — | |

| Dual tyre | | | V | | | | | | | | FV | | | | | FSV | | | | | | | |
|-----------|--|-----|-------|-------|-------|-------|-------|-------|------|------|-------|-------|-------|-------|-------|------|------|------|------|------|-----|-----|--|
| 8FG/DF15 | Tilt range, forward | deg | 7 | 7 | 7 | 7 | 7 | 7 | 7 | 7 | 7 | 7 | 7 | 7 | 7 | 7 | 7 | 7 | 7 | 7 | 7 | 7 | |
| | Tilt range, backward | deg | 10(5) | 10(5) | 10(5) | 10(5) | 10(5) | 10(5) | 5 | 5 | 10(5) | 10(5) | 10(5) | 10(5) | 10(5) | 5 | 5 | 5 | 5 | 5 | 5 | 5 | |
| | Load capacity, P/SE tyres 500 mm LC | kg | 1500 | 1500 | 1500 | 1500 | 1500 | 1450 | 1350 | 1300 | 1500 | 1500 | 1500 | 1500 | 1500 | 1400 | 1350 | 1300 | 1250 | 1100 | 900 | 650 | |
| 8FG/DF18 | Tilt range, forward | deg | 7 | 7 | 7 | 7 | 7 | 7 | 7 | 7 | 7 | 7 | 7 | 7 | 7 | 7 | 7 | 7 | 7 | 7 | 7 | 7 | |
| | Tilt range, backward | deg | 10(5) | 10(5) | 10(5) | 10(5) | 10(5) | 10(5) | 5 | 5 | 10(5) | 10(5) | 10(5) | 10(5) | 10(5) | 5 | 5 | 5 | 5 | 5 | 5 | 5 | |
| | Load capacity, P/SE tyres at 500 mm LC | kg | 1750 | 1750 | 1750 | 1750 | 1700 | 1600 | 1550 | 1450 | 1750 | 1750 | 1750 | 1750 | 1700 | 1550 | 1500 | 1450 | 1400 | 1200 | 850 | 600 | |

Data in () are for when "Cabin Series" is selected (minimum front windshield).



Engine powered forklift 2.0 ton

| Truck specifications | | | | 02-8FGKF20 | 02-8FDKF20 | 02-8FGF20 | 02-8FDF20 | 52-8FDF20 | |
|----------------------|---|---|---|-----------------|---------------|-----------------------|---------------|-----------------------|-------------------|
| Identification | 1.1 | Manufacturer | | TOYOTA | TOYOTA | TOYOTA | TOYOTA | TOYOTA | |
| | 1.2 | Model | | 02-8FGKF20 | 02-8FDKF20 | 02-8FGF20 | 02-8FDF20 | 52-8FDF20 | |
| | 1.3 | Drive | | LPG | Diesel | LPG | Diesel | Diesel | |
| | 1.4 | Operator type | | Rider seated | Rider seated | Rider seated | Rider seated | Rider seated | |
| | 1.5 | Load capacity/rated load | Q | kg | 2000 | 2000 | 2000 | 2000 | 2000 |
| | 1.6 | Load centre | c | mm | 500 | 500 | 500 | 500 | 500 |
| | 1.8 | Load distance, centre of drive axle to fork | x | mm | 430 | 430 | 470 | 470 | 470 |
| | 1.9 | Wheelbase | y | mm | 1485 | 1485 | 1650 | 1650 | 1650 |
| | Weight | 2.1 | Service weight | | kg | 3150 | 3220 | 3250 | 3290 |
| 2.2 | | Axle load, with load, front/rear | | kg | 4450/700 | 4490/730 | 4580/670 | 4600/690 | 4610/700 |
| 2.3 | | Axle load, without load, front/rear | | kg | 1150/2000 | 1190/2030 | 1410/1840 | 1430/1860 | 1440/1870 |
| Tyres | 3.1 | Tyre - pneumatic (P), pneumatic shaped cushion (SE), solid rubber (R) | | | SE | SE | SE | SE | SE |
| | 3.2 | Tyre size, front | | | 21x8-9 | 21x8-9 | 7.00-12 | 7.00-12 | 7.00-12 |
| | 3.3 | Tyre size, rear | | | 18x7-8 | 18x7-8 | 6.00-9 | 6.00-9 | 6.00-9 |
| | 3.5 | Wheels, number front/rear (x=driven wheels) | | | 2x/2 | 2x/2 | 2x/2 | 2x/2 | 2x/2 |
| | 3.6 | Track width, front | b ₁₀ | mm | 960 | 960 | 960 | 960 | 960 |
| | 3.7 | Track width, rear | b ₁₁ | mm | 940 | 940 | 965 | 965 | 965 |
| | Dimensions | 4.1 | Tilt of mast/fork carriage forward/backward | α/β | deg | 7/10 | 7/10 | 6/11 | 6/11 |
| 4.2 | | Height, mast lowered | h ₁ | mm | 1975 | 1975 | 1995 | 1995 | 1995 |
| 4.3 | | Free lift | h ₂ | mm | 125 | 125 | 150 | 150 | 150 |
| 4.4 | | Lift height | h ₃ | mm | 2960 | 2960 | 2960 | 2960 | 2960 |
| | | | h ₂₃ | mm | 3000 | 3000 | 3000 | 3000 | 3000 |
| 4.5 | | Height, mast extended | h ₄ | mm | 4250 | 4250 | 4250 | 4250 | 4250 |
| 4.7 | | Height of overhead guard (cab) | h ₆ | mm | 2085 | 2085 | 2110 | 2110 | 2110 |
| 4.8 | | Seat height/stand height | h ₇ | mm | 1025 | 1025 | 1050 | 1050 | 1050 |
| 4.12 | | Coupling height | h ₁₀ | mm | 285 | 285 | 315 | 315 | 315 |
| 4.19 | | Overall length | l ₁ | mm | 3370 | 3370 | 3575 | 3575 | 3575 |
| 4.20 | | Length to face of forks | l ₂ | mm | 2370 | 2370 | 2575 | 2575 | 2575 |
| 4.21 | | Overall width | b ₁ | mm | 1155 | 1155 | 1150 | 1150 | 1150 |
| 4.22 | | Fork dimensions | s/e/l | mm | 40/100/1000 | 40/100/1000 | 40/100/1000 | 40/100/1000 | 40/100/1000 |
| 4.23 | | Fork carriage DIN 15 173, class/type A, B | | | IIA | IIA | IIA | IIA | IIA |
| 4.24 | | Fork-carriage width | b ₃ | mm | 1020 | 1020 | 1020 | 1020 | 1020 |
| 4.31 | | Ground clearance, with load, below mast | m ₁ | mm | 60 | 60 | 90 | 90 | 90 |
| 4.32 | | Ground clearance, centre of wheelbase | m ₂ | mm | 85 | 85 | 135 | 135 | 135 |
| 4.33 | | Aisle width for pallets 1000 x 1200 crossways | A _{st} | mm | 3670 | 3670 | 3870 | 3870 | 3870 |
| 4.34 | Aisle width for pallets 800 x 1200 lengthways | A _{sl} | mm | 3870 | 3870 | 4070 | 4070 | 4070 | |
| 4.35 | Turning radius | W _a | mm | 2040 | 2040 | 2200 | 2200 | 2200 | |
| 4.36 | Internal turning radius | b ₁₃ | mm | 630 | 630 | 745 | 745 | 745 | |
| Performance data | 5.1 | Travel speed, with/without load | | km/h | 17,0/17,5 | 17,0/17,5 | 17,5/18,0 | 17,0/17,5 | 19,0/19,5 |
| | 5.2 | Lift speed, with/without load | | m/s | 0,60/0,64 | 0,56/0,60 | 0,60/0,64 | 0,56/0,60 | 0,62/0,66 |
| | 5.3 | Lowering speed, with/without load | | m/s | 0,50/0,50 | 0,50/0,50 | 0,50/0,50 | 0,50/0,50 | 0,50/0,50 |
| | 5.6 | Max. drawbar pull, with/without load | | N | 18800/7800 | 18000/7800 | 18500/9000 | 17400/9100 | 19200/9100 |
| | 5.7 | Gradeability, with load ¹⁾²⁾ | | % | 36 | 34 | 35 | 32 | 33 |
| | 5.8 | Max. gradeability, with/without load ²⁾ | | % | 40/20 | 38/20 | 39/22 | 36/22 | 36/22 |
| 5.10 | Service brake | | | | Hydraulic | Hydraulic | Hydraulic | Hydraulic | |
| Combustion engine | 7.1 | Engine manufacturer/type | | | Toyota 4Y-ECS | Toyota 1DZ-III (IIIA) | Toyota 4Y-ECS | Toyota 1DZ-III (IIIA) | Toyota 1ZS (IIIB) |
| | 7.2 | Engine power acc. to ISO 1585 | | kW | 38 | 36 | 38 | 36 | 41 |
| | 7.3 | Rated speed | | 1/min | 2570 | 2400 | 2570 | 2500 | 2200 |
| | 7.4 | No. of cylinders/displacement | | cm ³ | 4/2237 | 4/2486 | 4/2237 | 4/2486 | 3/1795 |
| | 7.5a | Fuel consumption according to VDI 60 | | l/h | — | 3,2 | — | 3,2 | 2,6 |
| | 7.5b | Fuel consumption according to VDI 60 | | kg/h | 2,8 | — | 2,8 | — | — |
| Others | 8.2 | Operating pressure for attachments | | bar | 147 | 147 | 147 | 147 | 174 |
| | 8.3 | Oil volume for attachments | | l/min | 65-71 | 65-71 | 65-71 | 65-77 | 65-77 |
| | 8.4 | Sound level at the driver's ear according to EN 12 053 | | dB(A) | 77 | 79 | 77 | 79 | 77 |

¹⁾ At 1,5 km/h

²⁾ Computed values

Performance data and dimensions are nominal and subject to tolerances. Specifications are subject to change without notice. Please obtain the latest specifications before contracting products.

Mast dimensions and rated capacities

| Model | | | V | | | | | | | | FV | | | | | FSV | | | | | | | |
|----------|-------------------------------------|----------|------|------|------|------|------|------|------|------|----------------|----------------|----------------|----------------|----------------|------|------|------|------|------|------|------|--|
| 8FG/DF20 | Lift height | h_{23} | 3000 | 3300 | 3500 | 3700 | 4000 | 4500 | 5000 | — | 3000 | 3300 | 3500 | 3700 | 4000 | 4300 | 4700 | 5000 | 5500 | 6000 | 6500 | 7000 | |
| | Lift | h_3 | 2960 | 3260 | 3460 | 3660 | 3960 | 4460 | 4960 | — | 2960 | 3260 | 3460 | 3660 | 3960 | 4260 | 4660 | 4960 | 5460 | 5960 | — | — | |
| | Height, mast lowered | h_1 | 1975 | 2125 | 2225 | 2385 | 2575 | 2825 | 3075 | — | 1975 | 2125 | 2225 | 2385 | 2575 | 1975 | 2125 | 2225 | 2385 | 2575 | — | — | |
| | Height, mast extended ¹⁾ | h_4 | 3705 | 4005 | 4205 | 4405 | 4705 | 5205 | 5705 | — | 3635 | 3935 | 4135 | 4335 | 4635 | 4975 | 5375 | 5675 | 6175 | 6675 | — | — | |
| | Height, mast extended ²⁾ | h_4 | 4250 | 4550 | 4750 | 4950 | 5250 | 5750 | 6250 | — | 4240 | 4540 | 4740 | 4940 | 5240 | 5540 | 5940 | 6240 | 6740 | 7240 | — | — | |
| | Free lift, without load backrest | h_2 | 125 | 125 | 125 | 125 | 125 | 125 | 125 | — | 1370 [1220] | 1520 [1370] | 1620 [1470] | 1780 [1630] | 1970 [1820] | 1330 | 1480 | 1580 | 1740 | 1930 | — | — | |
| | Free lift, with load backrest | h_2 | 125 | 125 | 125 | 125 | 125 | 125 | 125 | — | 765 | 915 | 1015 | 1175 | 1365 | 765 | 915 | 1015 | 1175 | 1365 | — | — | |
| 8FG/DF20 | Lift height | h_{23} | 3000 | 3300 | 3500 | 3700 | 4000 | 4500 | 5000 | 5500 | 3000 | 3300 | 3500 | 3700 | 4000 | 4300 | 4700 | 5000 | 5500 | 6000 | 6500 | 7000 | |
| | Lift | h_3 | 2960 | 3260 | 3460 | 3660 | 3960 | 4460 | 4960 | 5460 | 2960 | 3260 | 3460 | 3660 | 3960 | 4260 | 4660 | 4960 | 5460 | 5960 | 6460 | 6960 | |
| | Height, mast lowered | h_1 | 1995 | 2145 | 2245 | 2405 | 2595 | 2845 | 3095 | 3345 | 1995 | 2145 | 2245 | 2405 | 2595 | 1995 | 2145 | 2245 | 2405 | 2595 | 2845 | 3095 | |
| | Height, mast extended ¹⁾ | h_4 | 3700 | 4000 | 4200 | 4400 | 4700 | 5200 | 5700 | 6200 | 3625 | 3925 | 4125 | 4325 | 4625 | 4900 | 5300 | 5600 | 6100 | 6600 | 7100 | 7600 | |
| | Height, mast extended ²⁾ | h_4 | 4250 | 4550 | 4750 | 4950 | 5250 | 5750 | 6250 | 6750 | 4240 | 4540 | 4740 | 4940 | 5240 | 5540 | 5940 | 6240 | 6740 | 7240 | 7740 | 8240 | |
| | Free lift, without load backrest | h_2 | 150 | 150 | 150 | 150 | 150 | 150 | 150 | 150 | 1400 [1220] | 1550 [1370] | 1650 [1470] | 1810 [1630] | 2000 [1820] | 1425 | 1575 | 1675 | 1835 | 2025 | 2275 | 2525 | |
| | Free lift, with load backrest | h_2 | 150 | 150 | 150 | 150 | 150 | 150 | 150 | 150 | 785 | 935 | 1035 | 1195 | 1385 | 785 | 935 | 1035 | 1195 | 1385 | 1635 | 1885 | |

1) Without load backrest

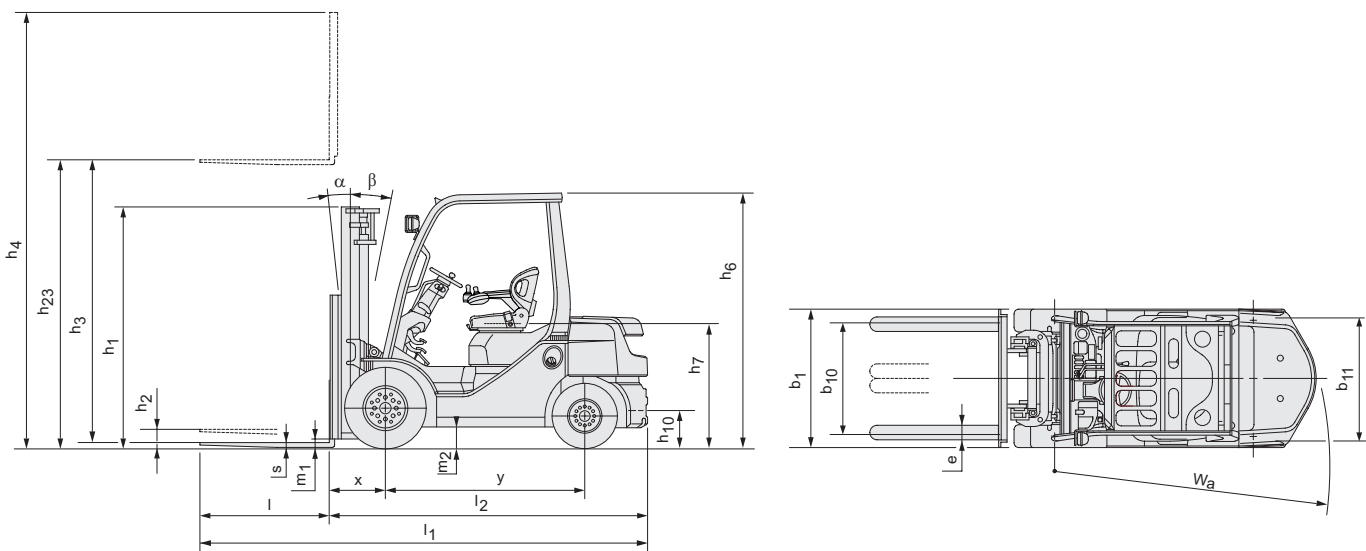
2) With load backrest; Height of standard load backrest is 1220 mm.

Data in [] are for when "A4 piping" is selected.

| Single tyre | | | V | | | | | | | | FV | | | | | FSV | | | | | | | |
|-------------|--------------------------------------|-----|-------|-------|-------|-------|-------|------|------|---|-------|-------|-------|-------|-------|------|------|------|------|------|-----|---|--|
| 8FG/DF20 | Tilt range, forward | deg | 7 | 7 | 7 | 7 | 7 | 7 | 7 | — | 7 | 7 | 7 | 7 | 7 | 7 | 7 | 7 | 7 | 7 | — | — | |
| | Tilt range, backward | deg | 10(5) | 10(5) | 10(5) | 10(5) | 10(5) | 5 | 5 | — | 10(5) | 10(5) | 10(5) | 10(5) | 10(5) | 5 | 5 | 5 | 5 | 5 | — | — | |
| | Load capacity, P tyres at 500 mm LC | kg | 2000 | 2000 | 2000 | 2000 | 2000 | 1950 | 1850 | — | 2000 | 2000 | 2000 | 2000 | 2000 | 1900 | 1850 | 1450 | 1200 | 850 | — | — | |
| | Load capacity, SE tyres at 500 mm LC | kg | 2000 | 2000 | 2000 | 2000 | 2000 | 2000 | 2000 | — | 2000 | 2000 | 2000 | 2000 | 2000 | 2000 | 2000 | 1600 | 1350 | 1000 | — | — | |
| 8FG/DF20 | Tilt range, forward | deg | 6 | 6 | 6 | 6 | 6 | 6 | 6 | — | 6 | 6 | 6 | 6 | 6 | 6 | 6 | 6 | 6 | 6 | 6 | — | |
| | Tilt range, backward | deg | 11(6) | 11(6) | 11(6) | 11(6) | 11(6) | 6 | 6 | — | 11(6) | 11(6) | 11(6) | 11(6) | 11(6) | 6 | 6 | 6 | 6 | 6 | 6 | — | |
| | Load capacity, P tyres at 500 mm LC | kg | 2000 | 2000 | 2000 | 2000 | 2000 | 1950 | 1850 | — | 2000 | 2000 | 2000 | 2000 | 2000 | 1900 | 1850 | 1450 | 1200 | 850 | 650 | — | |
| | Load capacity, SE tyres at 500 mm LC | kg | 2000 | 2000 | 2000 | 2000 | 2000 | 1950 | 1900 | — | 2000 | 2000 | 2000 | 2000 | 2000 | 1900 | 1850 | 1600 | 1350 | 1000 | 750 | — | |

| Dual tyre | | | V | | | | | | | | FV | | | | | FSV | | | | | | | |
|-----------|--|-----|-------|-------|-------|-------|-------|-------|------|------|-------|-------|-------|-------|-------|------|------|------|------|------|------|------|--|
| 8FG/DF20 | Tilt range, forward | deg | 6 | 6 | 6 | 6 | 6 | 6 | 6 | 6 | 6 | 6 | 6 | 6 | 6 | 6 | 6 | 6 | 6 | 6 | 6 | 6 | |
| | Tilt range, backward | deg | 11(6) | 11(6) | 11(6) | 11(6) | 11(6) | 11(6) | 6 | 6 | 11(6) | 11(6) | 11(6) | 11(6) | 11(6) | 6 | 6 | 6 | 6 | 6 | 6 | 6 | |
| | Load capacity, P/SE tyres at 500 mm LC | kg | 2000 | 2000 | 2000 | 2000 | 2000 | 1950 | 1900 | 1800 | 2000 | 2000 | 2000 | 2000 | 2000 | 1950 | 1900 | 1850 | 1800 | 1600 | 1550 | 1200 | |

Data in () are for when "Cabin Series" is selected (minimum front windshield).



Engine powered forklift 2.5 ton

| Truck specifications | | | | 02-8FGF25 | 02-8FDF25 | 52-8FDF25 | |
|----------------------|-------------------------|---|---|-----------------|---------------|-----------------------|-------------------|
| Identification | 1.1 | Manufacturer | | TOYOTA | TOYOTA | TOYOTA | |
| | 1.2 | Model | | 02-8FGF25 | 02-8FDF25 | 52-8FDF25 | |
| | 1.3 | Drive | | LPG | Diesel | Diesel | |
| | 1.4 | Operator type | | Rider seated | Rider seated | Rider seated | |
| | 1.5 | Load capacity/rated load | Q | kg | 2500 | 2500 | 2500 |
| | 1.6 | Load centre | c | mm | 500 | 500 | 500 |
| | 1.8 | Load distance, centre of drive axle to fork | x | mm | 470 | 470 | 470 |
| | 1.9 | Wheelbase | y | mm | 1650 | 1650 | 1650 |
| | Weight | 2.1 | Service weight | | kg | 3560 | 3600 |
| 2.2 | | Axle load, with load, front/rear | | kg | 5280/780 | 5300/800 | 5310/810 |
| 2.3 | | Axle load, without load, front/rear | | kg | 1300/2260 | 1320/2280 | 1330/2290 |
| Tyres | 3.1 | Tyre - pneumatic (P), pneumatic shaped cushion (SE), solid rubber (R) | | | SE | SE | SE |
| | 3.2 | Tyre size, front | | | 7.00-12 | 7.00-12 | 7.00-12 |
| | 3.3 | Tyre size, rear | | | 6.00-9 | 6.00-9 | 6.00-9 |
| | 3.5 | Wheels, number front/rear (x=driven wheels) | | | 2x/2 | 2x/2 | 2x/2 |
| | 3.6 | Track width, front | b ₁₀ | mm | 960 | 960 | 960 |
| | 3.7 | Track width, rear | b ₁₁ | mm | 965 | 965 | 965 |
| | Dimensions | 4.1 | Tilt of mast/fork carriage forward/backward | a/b | deg | 6/11 | 6/11 |
| 4.2 | | Height, mast lowered | h ₁ | mm | 1995 | 1995 | 1995 |
| 4.3 | | Free lift | h ₂ | mm | 150 | 150 | 150 |
| 4.4 | | Lift | h ₃ | mm | 2960 | 2960 | 2960 |
| | | Lift height | h ₂₃ | mm | 3000 | 3000 | 3000 |
| 4.5 | | Height, mast extended | h ₄ | mm | 4250 | 4250 | 4250 |
| 4.7 | | Height of overhead guard (cab) | h ₆ | mm | 2110 | 2110 | 2110 |
| 4.8 | | Seat height/stand height | h ₇ | mm | 1050 | 1050 | 1050 |
| 4.12 | | Coupling height | h ₁₀ | mm | 315 | 315 | 315 |
| 4.19 | | Overall length | l ₁ | mm | 3640 | 3640 | 3640 |
| 4.20 | | Length to face of forks | l ₂ | mm | 2640 | 2640 | 2640 |
| 4.21 | | Overall width | b ₁ | mm | 1150 | 1150 | 1150 |
| 4.22 | | Fork dimensions | s/e/l | mm | 40/100/1000 | 40/100/1000 | 40/100/1000 |
| 4.23 | | Fork carriage DIN 15 173, class/type A, B | | | IIA | IIA | IIA |
| 4.24 | | Fork-carriage width | b ₃ | mm | 1020 | 1020 | 1020 |
| 4.31 | | Ground clearance, with load, below mast | m ₁ | mm | 90 | 90 | 90 |
| 4.32 | | Ground clearance, centre of wheelbase | m ₂ | mm | 135 | 135 | 135 |
| 4.33 | | Aisle width for pallets 1000 x 1200 crossways | A _{st} | mm | 3950 | 3950 | 3950 |
| 4.34 | | Aisle width for pallets 800 x 1200 lengthways | A _{sl} | mm | 4150 | 4150 | 4150 |
| 4.35 | | Turning radius | W _a | mm | 2280 | 2280 | 2280 |
| 4.36 | Internal turning radius | b ₁₃ | mm | 745 | 745 | 745 | |
| Performance data | 5.1 | Travel speed, with/without load | | km/h | 17,5/18 | 17,0/17,5 | 19/19,5 |
| | 5.2 | Lift speed, with/without load | | m/s | 0,60/0,64 | 0,56/0,60 | 0,62/0,66 |
| | 5.3 | Lowering speed, with/without load | | m/s | 0,50/0,50 | 0,50/0,50 | 0,50/0,50 |
| | 5.6 | Max. drawbar pull, with/without load | | N | 18500/8500 | 17400/8500 | 19200/8700 |
| | 5.7 | Gradeability, with load ¹⁾²⁾ | | % | 29 | 27 | 28 |
| | 5.8 | Max. gradeability, with/without load ²⁾ | | % | 33/19 | 31/19 | 31/19 |
| 5.10 | Service brake | | | Hydraulic | Hydraulic | Hydraulic | |
| Combustion engine | 7.1 | Engine manufacturer/type | | | Toyota 4Y-ECS | Toyota 1DZ-III (IIIA) | Toyota 1ZS (IIIB) |
| | 7.2 | Engine power acc. to ISO 1585 | | kW | 38 | 36 | 41 |
| | 7.3 | Rated speed | | 1/min | 2570 | 2500 | 2200 |
| | 7.4 | No. of cylinders/displacement | | cm ³ | 4/2237 | 4/2486 | 3/1795 |
| | 7.5a | Fuel consumption according to VDI 60 | | l/h | — | 3,6 | 2,9 |
| | 7.5b | Fuel consumption according to VDI 60 | | kg/h | 2,9 | — | — |
| Others | 8.2 | Operating pressure for attachments | | bar | 147 | 147 | 147 |
| | 8.3 | Oil volume for attachments | | l/min | 65-71 | 65-77 | 65-82 |
| | 8.4 | Sound level at the driver's ear according to EN 12 053 | | dB(A) | 77 | 79 | 77 |

¹⁾ At 1,5 km/h

²⁾ Computed values

Performance data and dimensions are nominal and subject to tolerances.

Specifications are subject to change without notice.

Please obtain the latest specifications before contracting products.

Mast dimensions and rated capacities

| Model | | | V | | | | | | | | FV | | | | | FSV | | | | | | | |
|----------|-------------------------------------|----------|------|------|------|------|------|------|------|------|----------------|----------------|----------------|----------------|----------------|------|------|------|------|------|------|------|--|
| 8FG/DF25 | Lift height | h_{23} | 3000 | 3300 | 3500 | 3700 | 4000 | 4500 | 5000 | 5500 | 3000 | 3300 | 3500 | 3700 | 4000 | 4300 | 4700 | 5000 | 5500 | 6000 | 6500 | 7000 | |
| | Lift | h_3 | 2960 | 3260 | 3460 | 3660 | 3960 | 4460 | 4960 | 5460 | 2960 | 3260 | 3460 | 3660 | 3960 | 4260 | 4660 | 4960 | 5460 | 5960 | 6460 | 6960 | |
| | Height, mast lowered | h_1 | 1995 | 2145 | 2245 | 2405 | 2595 | 2845 | 3095 | 3345 | 1995 | 2145 | 2245 | 2405 | 2595 | 1995 | 2145 | 2245 | 2405 | 2595 | 2845 | 3095 | |
| | Height, mast extended ¹⁾ | h_4 | 3700 | 4000 | 4200 | 4400 | 4700 | 5200 | 5700 | 6200 | 3625 | 3925 | 4125 | 4325 | 4625 | 4900 | 5300 | 5600 | 6100 | 6600 | 7100 | 7600 | |
| | Height, mast extended ²⁾ | h_4 | 4250 | 4550 | 4750 | 4950 | 5250 | 5750 | 6250 | 6750 | 4240 | 4540 | 4740 | 4940 | 5240 | 5540 | 5940 | 6240 | 6740 | 7240 | 7740 | 8240 | |
| | Free lift, without load backrest | h_2 | 150 | 150 | 150 | 150 | 150 | 150 | 150 | 150 | 1400 [1220] | 1550 [1370] | 1650 [1470] | 1810 [1630] | 2000 [1820] | 1425 | 1575 | 1675 | 1835 | 2025 | 2275 | 2525 | |
| | Free lift, with load backrest | h_2 | 150 | 150 | 150 | 150 | 150 | 150 | 150 | 150 | 785 | 935 | 1035 | 1195 | 1385 | 785 | 935 | 1035 | 1195 | 1385 | 1635 | 1885 | |

1) Without load backrest

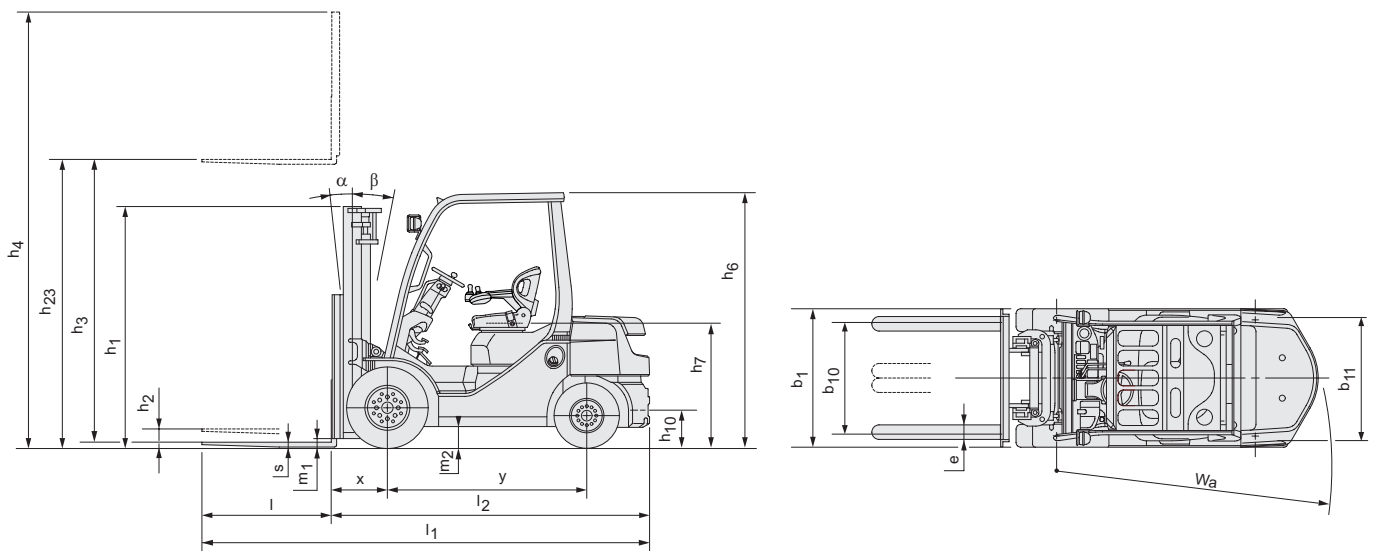
2) With load backrest; Height of standard load backrest is 1220 mm.

Data in [] are for when "A4 piping" is selected.

| Single tyre | | | V | | | | | | | | FV | | | | | FSV | | | | | | | |
|-------------|--------------------------------------|-----|-------|-------|-------|-------|------|------|------|---|-------|-------|-------|-------|------|------|------|------|------|------|-----|---|--|
| 8FG/DF25 | Tilt range, forward | deg | 6 | 6 | 6 | 6 | 6 | 6 | 6 | — | 6 | 6 | 6 | 6 | 6 | 6 | 6 | 6 | 6 | 6 | 6 | — | |
| | Tilt range, backward | deg | 11(6) | 11(6) | 11(6) | 11(6) | 9 | 6 | 6 | — | 11(6) | 11(6) | 11(6) | 11(6) | 9 | 6 | 6 | 6 | 6 | 6 | 6 | — | |
| | Load capacity, P tyres at 500 mm LC | kg | 2500 | 2500 | 2500 | 2500 | 2500 | 2150 | 1700 | — | 2500 | 2500 | 2500 | 2500 | 2500 | 2300 | 2000 | 1500 | 1250 | 900 | 650 | — | |
| | Load capacity, SE tyres at 500 mm LC | kg | 2500 | 2500 | 2500 | 2500 | 2500 | 2300 | 1850 | — | 2500 | 2500 | 2500 | 2500 | 2500 | 2300 | 2000 | 1650 | 1400 | 1050 | 750 | — | |

| Dual tyre | | | V | | | | | | | | FV | | | | | FSV | | | | | | | |
|-----------|--|-----|-------|-------|-------|-------|-------|------|------|-------|-------|-------|-------|-------|------|------|------|------|------|------|------|------|--|
| 8FG/DF25 | Tilt range, forward | deg | 6 | 6 | 6 | 6 | 6 | 6 | 6 | 6 | 6 | 6 | 6 | 6 | 6 | 6 | 6 | 6 | 6 | 6 | 6 | 6 | |
| | Tilt range, backward | deg | 11(6) | 11(6) | 11(6) | 11(6) | 11(6) | 6 | 6 | 11(6) | 11(6) | 11(6) | 11(6) | 11(6) | 6 | 6 | 6 | 6 | 6 | 6 | 6 | | |
| | Load capacity, P/SE tyres at 500 mm LC | kg | 2500 | 2500 | 2500 | 2500 | 2500 | 2450 | 2400 | 2300 | 2500 | 2500 | 2500 | 2500 | 2500 | 2500 | 2450 | 2400 | 2050 | 1700 | 1550 | 1200 | |

Data in () are for when "Cabin Series" is selected (minimum front windshield).



Engine powered forklift 3.0 ton

| Truck specifications | | | | 02-8FGF30 | 02-8FDF30 | 52-8FDF30 | |
|----------------------|---|---|---|-----------------|---------------|-----------------------|-------------------|
| Identification | 1.1 | Manufacturer | | TOYOTA | TOYOTA | TOYOTA | |
| | 1.2 | Model | | 02-8FGF30 | 02-8FDF30 | 52-8FDF30 | |
| | 1.3 | Drive | | LPG | Diesel | Diesel | |
| | 1.4 | Operator type | | Rider seated | Rider seated | Rider seated | |
| | 1.5 | Load capacity/rated load | Q | kg | 3000 | 3000 | 3000 |
| | 1.6 | Load centre | c | mm | 500 | 500 | 500 |
| | 1.8 | Load distance, centre of drive axle to fork | x | mm | 485 | 485 | 485 |
| | 1.9 | Wheelbase | y | mm | 1700 | 1700 | 1700 |
| | Weight | 2.1 | Service weight | | kg | 4210 | 4250 |
| 2.2 | | Axle load, with load, front/rear | | kg | 6230/980 | 6260/990 | 6280/1000 |
| 2.3 | | Axle load, without load, front/rear | | kg | 1490/2720 | 1530/2720 | 1540/2740 |
| Tyres | 3.1 | Tyre - pneumatic (P), pneumatic shaped cushion (SE), solid rubber (R) | | | SE | SE | SE |
| | 3.2 | Tyre size, front | | | 28x9-15 | 28x9-15 | 28x9-15 |
| | 3.3 | Tyre size, rear | | | 6.50-10 | 6.50-10 | 6.50-10 |
| | 3.5 | Wheels, number front/rear (x=driven wheels) | | | 2x/2 | 2x/2 | 2x/2 |
| | 3.6 | Track width, front | b ₁₀ | mm | 1010 | 1010 | 1010 |
| | 3.7 | Track width, rear | b ₁₁ | mm | 965 | 965 | 965 |
| | Dimensions | 4.1 | Tilt of mast/fork carriage forward/backward | a/b | deg | 6/11 | 6/11 |
| 4.2 | | Height, mast lowered | h ₁ | mm | 2010 | 2010 | 2010 |
| 4.3 | | Free lift | h ₂ | mm | 135 | 135 | 135 |
| 4.4 | | Lift | h ₃ | mm | 2955 | 2955 | 2955 |
| | | Lift height | h ₂₃ | mm | 3000 | 3000 | 3000 |
| 4.5 | | Height, mast extended | h ₄ | mm | 4260 | 4260 | 4260 |
| 4.7 | | Height of overhead guard (cab) | h ₆ | mm | 2170 | 2170 | 2170 |
| 4.8 | | Seat height/stand height | h ₇ | mm | 1110 | 1110 | 1110 |
| 4.12 | | Coupling height | h ₁₀ | mm | 335 | 335 | 335 |
| 4.19 | | Overall length | l ₁ | mm | 3780 | 3780 | 3780 |
| 4.20 | | Length to face of forks | l ₂ | mm | 2780 | 2780 | 2780 |
| 4.21 | | Overall width | b ₁ | mm | 1240 | 1240 | 1240 |
| 4.22 | | Fork dimensions | s/e/l | mm | 45/100/1000 | 45/100/1000 | 45/100/1000 |
| 4.23 | | Fork carriage DIN 15 173, class/type A, B | | | IIIA | IIIA | IIIA |
| 4.24 | | Fork-carriage width | b ₃ | mm | 1070 | 1070 | 1070 |
| 4.31 | | Ground clearance, with load, below mast | m ₁ | mm | 110 | 110 | 110 |
| 4.32 | | Ground clearance, centre of wheelbase | m ₂ | mm | 180 | 180 | 180 |
| 4.33 | | Aisle width for pallets 1000 x 1200 crossways | A _{st} | mm | 4115 | 4115 | 4115 |
| 4.34 | Aisle width for pallets 800 x 1200 lengthways | A _{st} | mm | 4315 | 4315 | 4315 | |
| 4.35 | Turning radius | W _a | mm | 2430 | 2430 | 2430 | |
| 4.36 | Internal turning radius | b ₁₃ | mm | 720 | 720 | 720 | |
| Performance data | 5.1 | Travel speed, with/without load | | km/h | 18,5/19,0 | 16,0/16,5 | 18,5/19,0 |
| | 5.2 | Lift speed, with/without load | | m/s | 0,51/0,55 | 0,44/0,47 | 0,50/0,53 |
| | 5.3 | Lowering speed, with/without load | | m/s | 0,50/0,50 | 0,50/0,50 | 0,50/0,50 |
| | 5.6 | Max. drawbar pull, with/without load | | N | 18000/10300 | 18400/10400 | 19500/10500 |
| | 5.7 | Gradeability, with load ¹⁾²⁾ | | % | 23 | 24 | 25 |
| | 5.8 | Max. gradeability, with/without load ²⁾ | | % | 26/20 | 27/20 | 28/20 |
| | 5.10 | Service brake | | | Hydraulic | Hydraulic | Hydraulic |
| Combustion engine | 7.1 | Engine manufacturer/type | | | Toyota 4Y-ECS | Toyota 1DZ-III (IIIA) | Toyota 1ZS (IIIB) |
| | 7.2 | Engine power acc. to ISO 1585 | | kW | 44 | 36 | 41 |
| | 7.3 | Rated speed | | 1/min | 2570 | 2500 | 2200 |
| | 7.4 | No. of cylinders/displacement | | cm ³ | 4/2237 | 4/2486 | 3/1795 |
| | 7.5a | Fuel consumption according to VDI 60 | | l/h | — | 4,4 | 3,6 |
| | 7.5b | Fuel consumption according to VDI 60 | | kg/h | 3,7 | — | — |
| Others | 8.2 | Operating pressure for attachments | | bar | 147 | 147 | 147 |
| | 8.3 | Oil volume for attachments | | l/min | 65-74 | 65-75 | 65-80 |
| | 8.4 | Sound level at the driver's ear according to EN 12 053 | | dB(A) | 77 | 79 | 77 |

¹⁾ At 1,5 km/h

²⁾ Computed values

Performance data and dimensions are nominal and subject to tolerances.

Specifications are subject to change without notice.

Please obtain the latest specifications before contracting products.

Mast dimensions and rated capacities

| Model | | | V | | | | | | | | FV | | | | | FSV | | | | | | | |
|----------|-------------------------------------|----------|------|------|------|------|------|------|------|------|------|------|------|------|------|------|------|------|------|------|------|------|------|
| 8FG/DF30 | Lift height | h_{23} | 3000 | 3300 | 3500 | 3700 | 4000 | 4500 | 5000 | 5500 | 6000 | 3000 | 3300 | 3500 | 3700 | 4000 | 4300 | 4700 | 5000 | 5500 | 6000 | 6500 | 7000 |
| | Lift | h_3 | 2955 | 3255 | 3455 | 3655 | 3955 | 4455 | 4955 | 5455 | 5955 | 2955 | 3255 | 3455 | 3655 | 3955 | 4255 | 4655 | 4955 | 5455 | 5955 | 6455 | 6955 |
| | Height, mast lowered | h_1 | 2010 | 2160 | 2260 | 2420 | 2610 | 2860 | 3110 | 3360 | 3650 | 2010 | 2160 | 2260 | 2420 | 2610 | 2160 | 2260 | 2420 | 2610 | 2860 | 3110 | 3360 |
| | Height, mast extended ¹⁾ | h_4 | 3765 | 4065 | 4265 | 4465 | 4765 | 5265 | 5765 | 6265 | 6765 | 3650 | 3950 | 4150 | 4350 | 4650 | 4950 | 5350 | 5650 | 6150 | 6650 | 7150 | 7650 |
| | Height, mast extended ²⁾ | h_4 | 4260 | 4560 | 4760 | 4960 | 5260 | 5760 | 6260 | 6760 | 7260 | 4250 | 4550 | 4750 | 4950 | 5250 | 5550 | 5950 | 6250 | 6750 | 7250 | 7750 | 8250 |
| | Free lift, without load backrest | h_2 | 135 | 135 | 135 | 135 | 135 | 135 | 135 | 135 | 135 | 1400 | 1550 | 1650 | 1810 | 2000 | 1550 | 1650 | 1810 | 2000 | 2250 | 2500 | 2750 |
| | Free lift, with load backrest | h_2 | 135 | 135 | 135 | 135 | 135 | 135 | 135 | 135 | 135 | 800 | 950 | 1050 | 1210 | 1400 | 950 | 1050 | 1210 | 1400 | 1650 | 1900 | 2150 |

1) Without load backrest

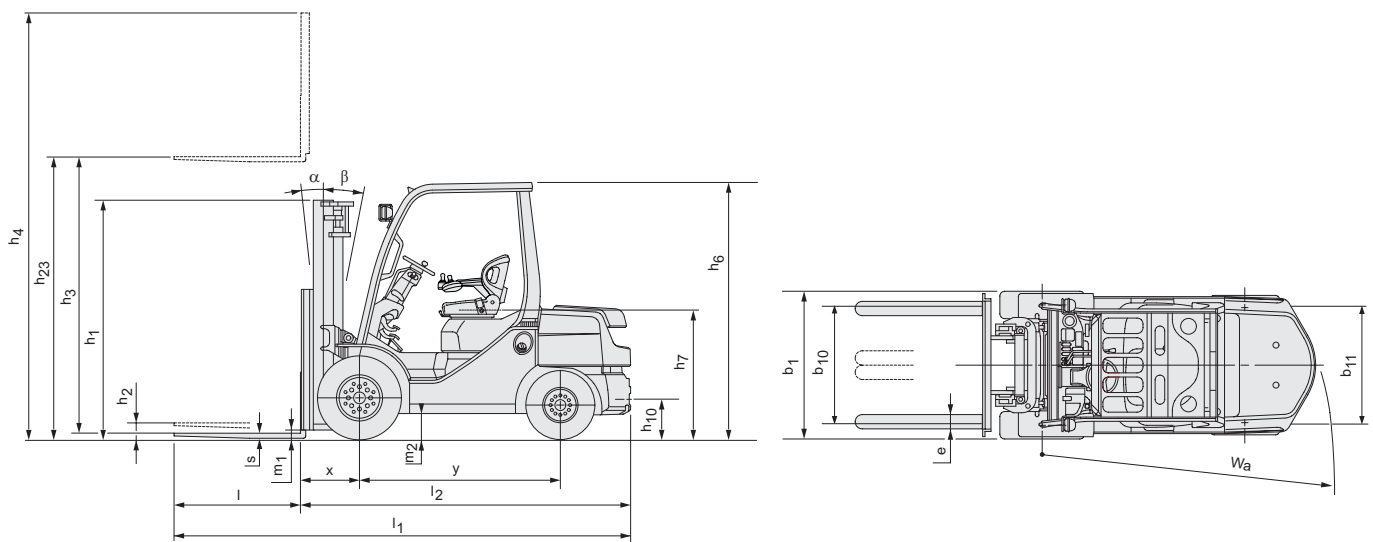
2) With load backrest; Height of standard load backrest is 1220 mm.

Data in [] are for when "A4 piping" is selected.

| Single tyre | | | V | | | | | | | | FV | | | | | FSV | | | | | | | |
|-------------|--------------------------------------|-----|-------|-------|-------|-------|-------|------|------|---|----|-------|-------|-------|-------|-------|------|------|------|------|------|------|---|
| 8FG/DF30 | Tilt range, forward | deg | 6 | 6 | 6 | 6 | 6 | 6 | 6 | — | — | 6 | 6 | 6 | 6 | 6 | 6 | 6 | 6 | 6 | 6 | 6 | — |
| | Tilt range, backward | deg | 11(6) | 11(6) | 11(6) | 11(6) | 11(6) | 6 | 6 | — | — | 11(6) | 11(6) | 11(6) | 11(6) | 11(6) | 6 | 6 | 6 | 6 | 6 | 6 | — |
| | Load capacity, P tyres at 500 mm LC | kg | 3000 | 3000 | 3000 | 3000 | 3000 | 3000 | 2600 | — | — | 3000 | 3000 | 3000 | 3000 | 3000 | 3000 | 3000 | 2600 | 1900 | 1500 | 1000 | — |
| | Load capacity, SE tyres at 500 mm LC | kg | 3000 | 3000 | 3000 | 3000 | 3000 | 3000 | 2750 | — | — | 3000 | 3000 | 3000 | 3000 | 3000 | 3000 | 3000 | 2750 | 2050 | 1650 | 1100 | — |

| Dual tyre | | | V | | | | | | | | FV | | | | | FSV | | | | | | | |
|-----------|-------------------------------------|-----|-------|-------|-------|-------|-------|------|------|------|-------|-------|-------|-------|-------|------|------|------|------|------|------|------|---|
| 8FG/DF30 | Tilt range, forward | deg | 6 | 6 | 6 | 6 | 6 | 6 | 6 | 6 | 6 | 6 | 6 | 6 | 6 | 6 | 6 | 6 | 6 | 6 | 6 | 6 | 6 |
| | Tilt range, backward | deg | 11(6) | 11(6) | 11(6) | 11(6) | 11(6) | 6 | 6 | 6 | 11(6) | 11(6) | 11(6) | 11(6) | 11(6) | 6 | 6 | 6 | 6 | 6 | 6 | 6 | 6 |
| | Load capacity, P tyres at 500 mm LC | kg | 3000 | 3000 | 3000 | 3000 | 3000 | 3000 | 2550 | 2050 | 3000 | 3000 | 3000 | 3000 | 3000 | 3000 | 3000 | 2950 | 2650 | 2050 | 1600 | 1200 | |

Data in () are for when "Cabin Series" is selected (minimum front windshield).



Engine powered forklift 3.5 ton

| Truck specifications | | | | 02-8FGJF35 | 02-8FDJF35 | 52-8FDJF35 | |
|----------------------|---|---|---|-----------------|---------------|-----------------------|-------------------|
| Identification | 1.1 | Manufacturer | | TOYOTA | TOYOTA | TOYOTA | |
| | 1.2 | Model | | 02-8FGJF35 | 02-8FDJF35 | 52-8FDJF35 | |
| | 1.3 | Drive | | LPG | Diesel | Diesel | |
| | 1.4 | Operator type | | Rider seated | Rider seated | Rider seated | |
| | 1.5 | Load capacity/rated load | Q | kg | 3500 | 3500 | 3500 |
| | 1.6 | Load centre | c | mm | 500 | 500 | 500 |
| | 1.8 | Load distance, centre of drive axle to fork | x | mm | 495 | 495 | 495 |
| | 1.9 | Wheelbase | y | mm | 1700 | 1700 | 1700 |
| | Weight | 2.1 | Service weight | | kg | 4820 | 4860 |
| 2.2 | | Axle load, with load, front/rear | | Kg | 7250/1070 | 7260/1100 | 7280/1110 |
| 2.3 | | Axle load, without load, front/rear | | Kg | 1690/3130 | 1710/3150 | 1720/3170 |
| Tyres | 3.1 | Tyre - pneumatic (P), pneumatic shaped cushion (SE), solid rubber (R) | | | SE | SE | SE |
| | 3.2 | Tyre size, front | | | 250-15 | 250-15 | 250-15 |
| | 3.3 | Tyre size, rear | | | 6.50-10 | 6.50-10 | 6.50-10 |
| | 3.5 | Wheels, number front/rear (x=driven wheels) | | | 2x/2 | 2x/2 | 2x/2 |
| | 3.6 | Track width, front | b ₁₀ | mm | 1060 | 1060 | 1060 |
| | 3.7 | Track width, rear | b ₁₁ | mm | 965 | 965 | 965 |
| | Dimensions | 4.1 | Tilt of mast/fork carriage forward/backward | a/b | deg | 6/11 | 6/11 |
| 4.2 | | Height, mast lowered | h ₁ | mm | 2115 | 2115 | 2115 |
| 4.3 | | Free lift | h ₂ | mm | 135 | 135 | 135 |
| 4.4 | | Lift | h ₃ | mm | 2955 | 2955 | 2955 |
| | | Lift height | h ₂₃ | mm | 3000 | 3000 | 3000 |
| 4.5 | | Height, mast extended | h ₄ | mm | 4260 | 4260 | 4260 |
| 4.7 | | Height of overhead guard (cab) | h ₆ | mm | 2180 | 2180 | 2180 |
| 4.8 | | Seat height/stand height | h ₇ | mm | 1120 | 1120 | 1120 |
| 4.12 | | Coupling height | h ₁₀ | mm | 335 | 335 | 335 |
| 4.19 | | Overall length | l ₁ | mm | 3850 | 3850 | 3850 |
| 4.20 | | Length to face of forks | l ₂ | mm | 2850 | 2850 | 2850 |
| 4.21 | | Overall width | b ₁ | mm | 1290 | 1290 | 1290 |
| 4.22 | | Fork dimensions | s/e/l | mm | 45/125/1000 | 45/125/1000 | 45/125/1000 |
| 4.23 | | Fork carriage DIN 15 173, class/type A, B | | | IIIA | IIIA | IIIA |
| 4.24 | | Fork-carriage width | b ₃ | mm | 1070 | 1070 | 1070 |
| 4.31 | | Ground clearance, with load, below mast | m ₁ | mm | 130 | 130 | 130 |
| 4.32 | | Ground clearance, centre of wheelbase | m ₂ | mm | 190 | 190 | 190 |
| 4.33 | | Aisle width for pallets 1000 x 1200 crossways | A _{st} | mm | 4185 | 4185 | 4185 |
| 4.34 | Aisle width for pallets 800 x 1200 lengthways | A _{sl} | mm | 4385 | 4385 | 4385 | |
| 4.35 | Turning radius | W _a | mm | 2490 | 2490 | 2490 | |
| 4.36 | Internal turning radius | b ₁₃ | mm | 745 | 745 | 745 | |
| Performance data | 5.1 | Travel speed, with/without load | | km/h | 19,0/19,5 | 16,5/17,0 | 19,0/19,5 |
| | 5.2 | Lift speed, with/without load | | m/s | 0,43/0,45 | 0,37/0,40 | 0,42/0,45 |
| | 5.3 | Lowering speed, with/without load | | m/s | 0,50/0,45 | 0,50/0,45 | 0,50/0,45 |
| | 5.6 | Max. drawbar pull, with/without load | | N | 17000/10500 | 17100/10600 | 18500/10600 |
| | 5.7 | Gradeability, with load ¹⁾²⁾ | | % | 18 | 19 | 19 |
| | 5.8 | Max. gradeability, with/without load ²⁾ | | % | 20/18 | 21/19 | 21/19 |
| | 5.10 | Service brake | | | Hydraulic | Hydraulic | Hydraulic |
| Combustion engine | 7.1 | Engine manufacturer/type | | | Toyota 4Y-ECS | Toyota 1DZ-III (IIIA) | Toyota 1ZS (IIIB) |
| | 7.2 | Engine power acc. to ISO 1585 | | kW | 44 | 36 | 41 |
| | 7.3 | Rated speed | | 1/min | 2570 | 2400 | 2200 |
| | 7.4 | No. of cylinders/displacement | | cm ³ | 4/2237 | 4/2486 | 3/1795 |
| | 7.5a | Fuel consumption according to VDI 60 | | l/h | — | 4,9 | 3,9 |
| | 7.5b | Fuel consumption according to VDI 60 | | kg/h | 4,2 | — | — |
| Others | 8.2 | Operating pressure for attachments | | bar | 147 | 147 | 147 |
| | 8.3 | Oil volume for attachments | | l/min | 65-74 | 65-80 | 65-80 |
| | 8.4 | Sound level at the driver's ear according to EN 12 053 | | dB(A) | 77 | 79 | 77 |

¹⁾ At 1,5 km/h

²⁾ Computed val

Performance data and dimensions are nominal and subject to tolerances.

Specifications are subject to change without notice.

Please obtain the latest specifications before contracting products.

Mast dimensions and rated capacities

| Model | | | V | | | | | | | | FV | | | | | FSV | | | | | | | |
|-----------|-------------------------------------|----------|------|------|------|------|------|------|------|------|------|------|------|------|------|------|------|------|------|------|------|------|------|
| 8FG/DJF35 | Lift height | h_{23} | 3000 | 3300 | 3500 | 3700 | 4000 | 4500 | 5000 | 5500 | 6000 | 3000 | 3300 | 3500 | 3700 | 4000 | 4300 | 4700 | 5000 | 5500 | 6000 | 6500 | 7000 |
| | Lift | h_3 | 2955 | 3255 | 3455 | 3655 | 3955 | 4455 | 4955 | 5455 | 5955 | 2955 | 3255 | 3455 | 3655 | 3955 | 4255 | 4655 | 4955 | 5455 | 5955 | 6455 | 6955 |
| | Height, mast lowered | h_1 | 2115 | 2295 | 2395 | 2495 | 2745 | 2995 | 3245 | 3545 | 3795 | 2115 | 2295 | 2395 | 2495 | 2745 | 2230 | 2435 | 2625 | 2875 | 3125 | 3375 | 3625 |
| | Height, mast extended ¹⁾ | h_4 | 3910 | 4210 | 4410 | 4610 | 4910 | 5410 | 5910 | 6410 | 6910 | 3765 | 4065 | 4265 | 4465 | 4765 | 5065 | 5465 | 5765 | 6265 | 6765 | 7265 | 7765 |
| | Height, mast extended ²⁾ | h_4 | 4260 | 4560 | 4760 | 4960 | 5260 | 5760 | 6260 | 6760 | 7260 | 4250 | 4550 | 4750 | 4950 | 5250 | 5550 | 5950 | 6250 | 6750 | 7250 | 7750 | 8250 |
| | Free lift, without load backrest | h_2 | 135 | 135 | 135 | 135 | 135 | 135 | 135 | 135 | 135 | 1390 | 1570 | 1670 | 1770 | 2020 | 1500 | 1710 | 1900 | 2150 | 2400 | 2650 | 2900 |
| | Free lift, with load backrest | h_2 | 135 | 135 | 135 | 135 | 135 | 135 | 135 | 135 | 135 | 905 | 1085 | 1185 | 1285 | 1535 | 1015 | 1225 | 1415 | 1665 | 1915 | 2165 | 2415 |

1) Without load backrest

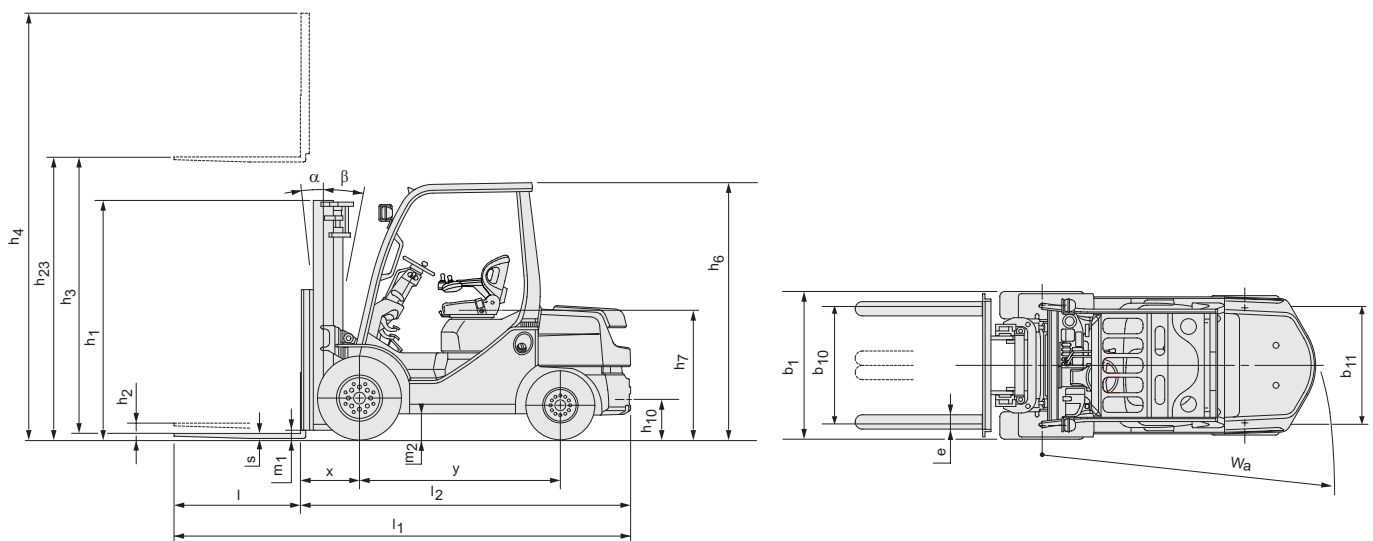
2) With load backrest; Height of standard load backrest is 1220 mm.

Data in [] are for when "A4 piping" is selected.

| Single tyre | | | V | | | | | | | | FV | | | | | FSV | | | | | | | |
|-------------|--------------------------------------|-----|-------|-------|-------|-------|-------|------|------|---|----|-------|-------|-------|-------|-------|------|------|------|------|------|------|---|
| 8FG/DJF35 | Tilt range, forward | deg | 6 | 6 | 6 | 6 | 6 | 6 | 6 | — | — | 6 | 6 | 6 | 6 | 6 | 6 | 6 | 6 | 6 | 6 | 6 | — |
| | Tilt range, backward | deg | 11(6) | 11(6) | 11(6) | 11(6) | 11(6) | 6 | 6 | — | — | 11(6) | 11(6) | 11(6) | 11(6) | 11(6) | 6 | 6 | 6 | 6 | 6 | 6 | — |
| | Load capacity, P tyres at 500 mm LC | kg | 3500 | 3500 | 3500 | 3500 | 3500 | 3500 | 3300 | — | — | 3500 | 3500 | 3500 | 3500 | 3500 | 3500 | 3400 | 3300 | 2700 | 2000 | 1100 | — |
| | Load capacity, SE tyres at 500 mm LC | kg | 3500 | 3500 | 3500 | 3500 | 3500 | 3500 | 3400 | — | — | 3500 | 3500 | 3500 | 3500 | 3500 | 3500 | 3400 | 3300 | 2850 | 2150 | 1100 | — |

| Dual tyre | | | V | | | | | | | | FV | | | | | FSV | | | | | | | |
|-----------|-------------------------------------|-----|-------|-------|-------|-------|-------|-------|------|------|------|-------|-------|-------|-------|-------|------|------|------|------|------|------|-----|
| 8FG/DJF35 | Tilt range, forward | deg | 6 | 6 | 6 | 6 | 6 | 6 | 6 | 6 | 6 | 6 | 6 | 6 | 6 | 6 | 6 | 6 | 6 | 6 | 6 | 6 | 6 |
| | Tilt range, backward | deg | 11(6) | 11(6) | 11(6) | 11(6) | 11(6) | 11(6) | 6 | 6 | 6 | 11(6) | 11(6) | 11(6) | 11(6) | 11(6) | 6 | 6 | 6 | 6 | 6 | 6 | 6 |
| | Load capacity, P tyres at 500 mm LC | kg | 3500 | 3500 | 3500 | 3500 | 3500 | 3500 | 3400 | 2950 | 1900 | 3500 | 3500 | 3500 | 3500 | 3500 | 3500 | 3400 | 3300 | 3200 | 2400 | 1650 | 900 |

Data in () are for when "Cabin Series" is selected (minimum front windshield).





Standard equipments:

- Toyota SAS (System of Active Stability*)
- Toyota OPS (Operator Presence Sensing)
- Toyota ORS seat (Operator Restraint System)
- Wide visible mast (V3000 mm)
- Load backrest (Height: 1220 mm)
- Long forks (Length: 1000 mm)
- Long forkbar [Length: 920 mm (8FG/DF15.18); 1020 mm (8FG/DKF20, 8FG/DF20.25); 1070 mm (8FG/DF30,8FG/DJF35)]
- 3-way valve (A400)
- Dual brake system
- Pneumatic shaped cushion tyres
- Full hydraulic power steering
- 7" cyclone air cleaner with snorkel air intake
- Anti-restart ignition key switch
- Long life coolant 50%
- Headlights
- Rear combination lights
- Combination meter including self diagnostic system
- Adjustable tilt steering column
- Polycarbonate roof
- Tilt cylinder boots (STD on 1ZS engine only)

* = When dual tyres are selected, the Active Control Rear Stabilizer function of the SAS system of Active Stability (SAS) is not included.



TP-Technical Publications, Sweden — 745562-040, version 6, 1409



TOYOTA MATERIAL HANDLING IN EUROPE, MANAGING THE TOYOTA AND BT MATERIALS HANDLING BRANDS IN EUROPE

TOYOTA

MATERIAL HANDLING